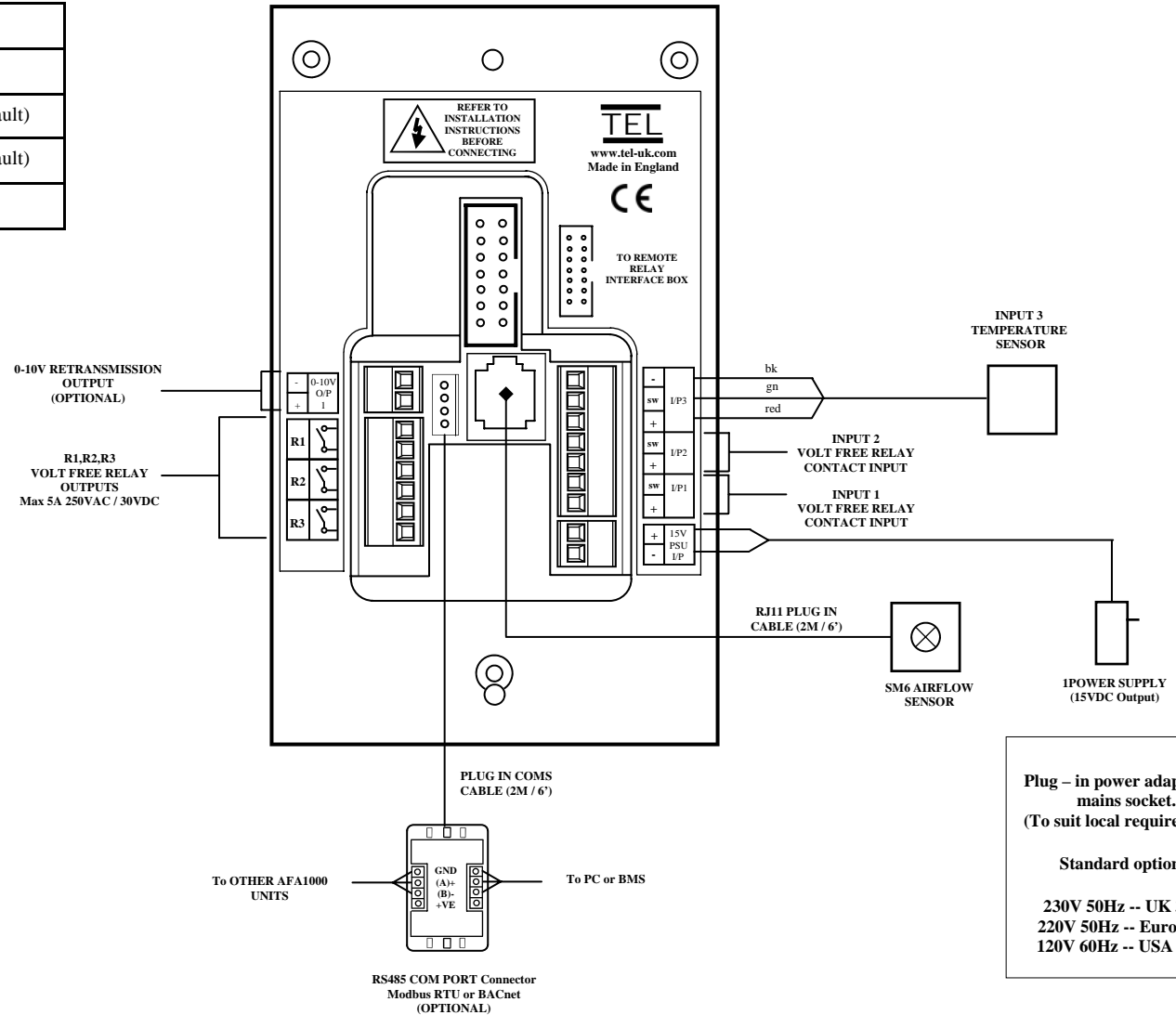


AFA1000/MK3 with Temperature Sensor		
Input Number	Activation	Function
Input 1	Close Contact	Setback (Factory set default)
Input 2	Close Contact	None (Factory set default)
Input 3	Analogue	Temperature



Plug – in power adapter for mains socket.  
(To suit local requirements)

Standard options:

230V 50Hz -- UK 3-pin  
220V 50Hz -- Euro 2-pin  
120V 60Hz -- USA 2-pin

DATE	REV	ALTERATION

**Title:** CONNECTIONS FOR TEMPERATURE SENSOR

**DRAWING NUMBER:** AFA1000MK3v4 Temp SHEET 1 of 1

**TEL** Temperature Electronics Ltd  
Unit 2 Wren Nest Road  
Glossop, Derbys. SK13 8HB  
Tel. 01457 865635 Fax. 01457 868843