

AFA1000/MK3 with Relay Interface (Factory Default Settings)		
Input Number	Activation	Function
Input 1	Close Contact	Setback (Factory set default)
Input 2	Close Contact	Sash High
Input 3	Analogue	Temperature
Note - Inputs can be made to either AFA1000 or Relay Interface Unit		

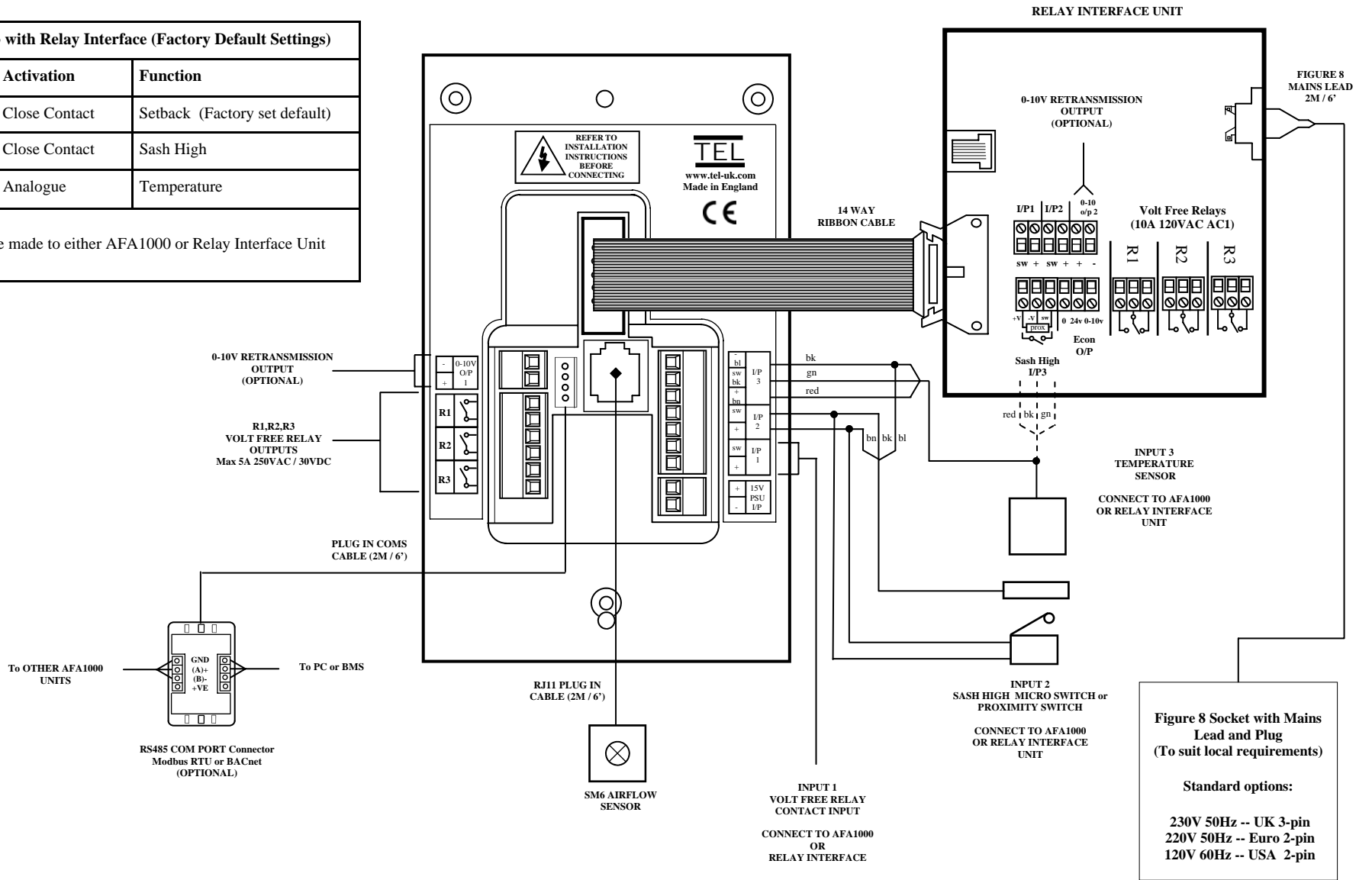


Figure 8 Socket with Mains Lead and Plug (To suit local requirements)

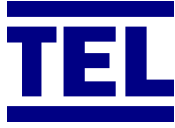
Standard options:

230V 50Hz -- UK 3-pin
 220V 50Hz -- Euro 2-pin
 120V 60Hz -- USA 2-pin

DATE	REV	ALTERATION

Title: CONNECTIONS FOR TEMPERATURE SENSOR SASH SENSOR AND RELAY INTERFACE UNIT

DRAWING NUMBER:AFA1000MK3v4 Temp Sash & Rly Int SHEET 1of 1



Temperature Electronics Ltd
 Unit 2 Wren Nest Road
 Glossop, Derbys. SK13 8HB
 Tel. 01457 865635 Fax. 01457 868843