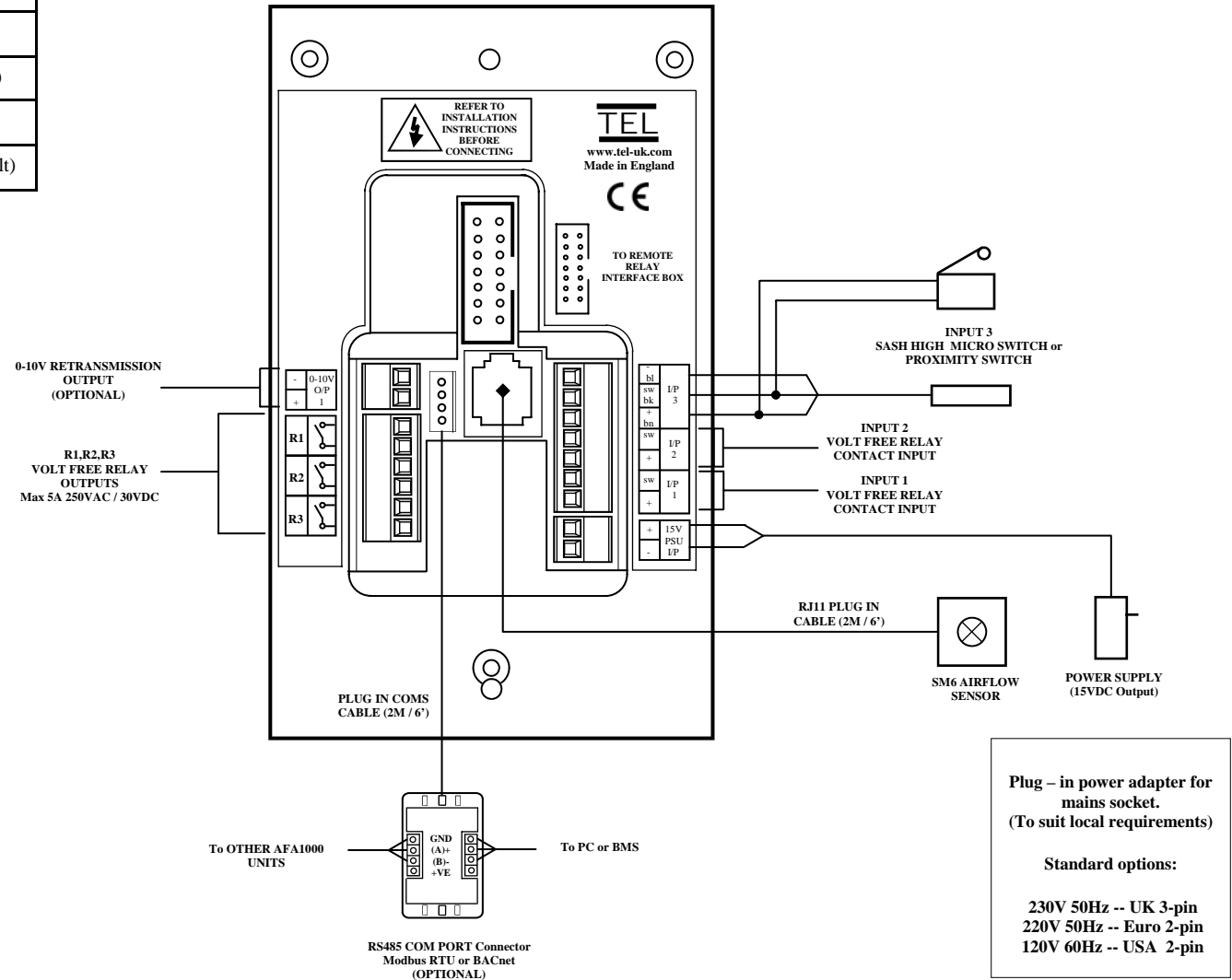


AFA1000/MK3 with Factory Default Settings

Input Number	Activation	Function
Input 1	Close Contact	Setback (Factory set default)
Input 2	Close Contact	None
Input 3	Close Contact	Sash High (Factory set default)



Plug – in power adapter for mains socket.
(To suit local requirements)

Standard options:

- 230V 50Hz -- UK 3-pin
- 220V 50Hz -- Euro 2-pin
- 120V 60Hz -- USA 2-pin

DATE	REV	ALTERATION

Title: CONNECTIONS FOR STANDARD FACTORY SETTINGS

DRAWING NUMBER: AFA1000MK3v4 Default SHEET 1 of 1

TEL Temperature Electronics Ltd
 Unit 2 Wren Nest Road
 Glossop, Derbys. SK13 8HB
 Tel. 01457 865635 Fax. 01457 868843